

DHI-SSD-S820

2.5" SATA Solid State Drive



S820 Series 2.5" SATA Solid State Drive

System Overview

As a new generation of 2.5" SSD product launched by Dahua, S820 series adopts high-quality 3D NAND wafer level chip and high-performance controller. It is specially designed for vehicle monitoring system and improve response speed of car DVR. The S820 improves performance in processing data, and effectively deals with various special conditions in vehicle monitoring such as data flow and full coverage.

Scene

Supports mobile data terminal for vehicles with 2.5" SATA ports.

Technical Specification

Product Model	DHI-SSD-S820GS512G	DHI-SSD-S820GS1TB	DHI-SSD-S820GS2TB
Capacity ¹	512GB	1TB	2TB
Form Factor	2.5"		
Port	6 Gb/s SATA		
Net Weight	Max 40 g (0.09 lb)		
Product Dimensions	100.20 mm × 69.90 mm × 7.00 mm (3.94" × 2.75" × 0.28")		
Packaging Dimensions	140.50 mm × 105.50 mm × 15.50 mm (5.53" × 4.15" × 0.61")		
Memory Component	3D NAND		
Power Consumption	2200 mW (max) 480 mW (idle)	3400 mW (max) 480 mW (idle)	3400 mW (max) 530 mW (idle)
S.M.A.R.T	Yes		
TRIM	Yes		
Garbage Collection	Yes		
Sequential Read ²	Up to 530 MB/s	Up to 480 MB/s	Up to 480 MB/s
Sequential Write ²	Up to 460 MB/s	Up to 460 MB/s	Up to 440 MB/s

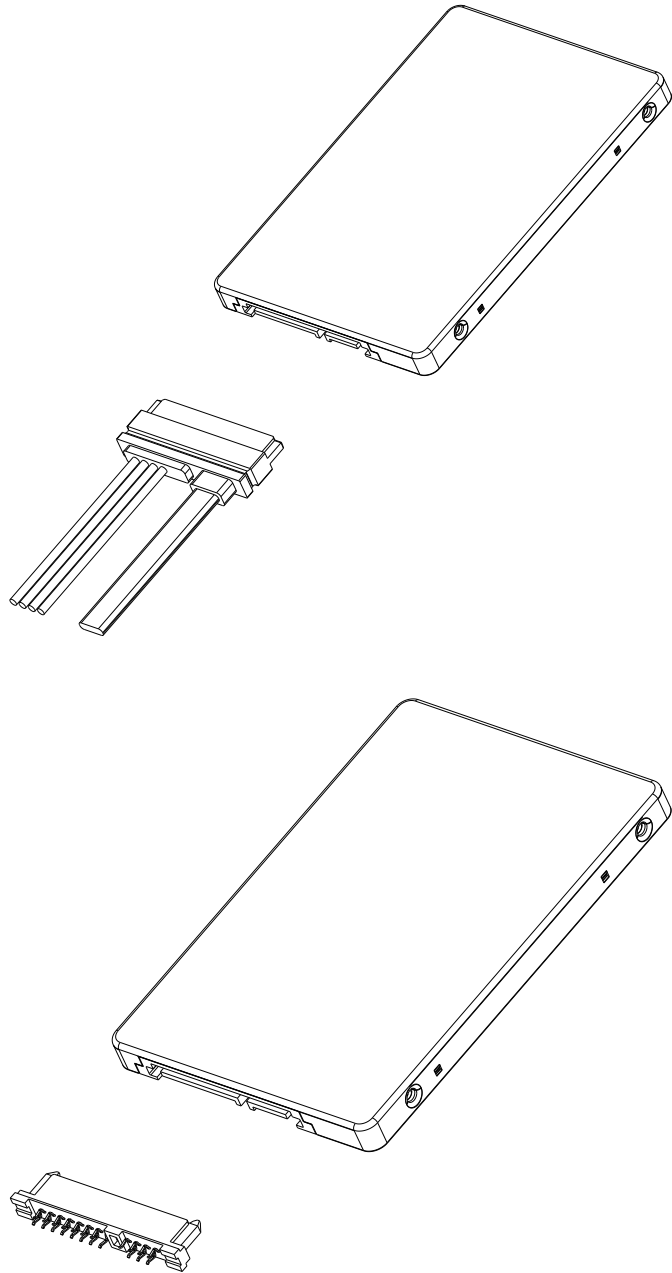
- Adopts high-quality 3D NAND wafer level chip.
- Supports SATA 3.0 protocol with transmission speed up to 530 MB/s.
- Provides better read and write performance with TRIM and NCQ.
- Low power consumption management.
- Adopts large TBW.
- Stable read and write performance of the SSD card allows the car DVR to make and save video recordings without losing frames.

4K Random Read ²	Up to 43,000	Up to 43,000	Up to 49,000
4K Random Write ²	Up to 82,000	Up to 82,000	Up to 66,000
MTBF	1,500,000 hours		
Operating Temperature	0°C to +70°C (+32°F to +158°F)		
Storage Temperature	-40°C to +85°C (-40°F to +185°F)		
Operating Humidity	5%–95% (non-condensing)		
Vibration Resistance	10–1000 Hz, 2.78G		
TBW	1000TB	2000TB	4000TB
Warranty ³	3-year limited warranty		
Reference Information	<ol style="list-style-type: none"> 1. Capacity calculation: 1GB = 1 billion bytes (IDEMA). Actual available capacity might be reduced (due to formatting, partition, operating system applications, or other necessary usage). 2. The speed data comes from Dahua Memory Lab. System configuration of performance test: Intel Z390 Chipset, Intel Core i9-9900KF@3.6GHz, 16GB DDR4; operating system-Windows 10 x64; testing tool-CrystalDiskMark 6.0.0. 3. Warranty period or maximum write amount (TBW), whichever comes first. 4. High performance SLC cache has been enabled. 		

Ordering Information

Type	Model	Description
S820 Series	DHI-SSD-S820GS512G	Dahua 2.5" SATA Solid State Drive DHI-SSD-S820GS512G
	DHI-SSD-S820GS1TB	Dahua 2.5" SATA Solid State Drive DHI-SSD-S820GS1TB
	DHI-SSD-S820GS2TB	Dahua 2.5" SATA Solid State Drive DHI-SSD-S820GS2TB

Installation



Dimensions (mm[inch])

